

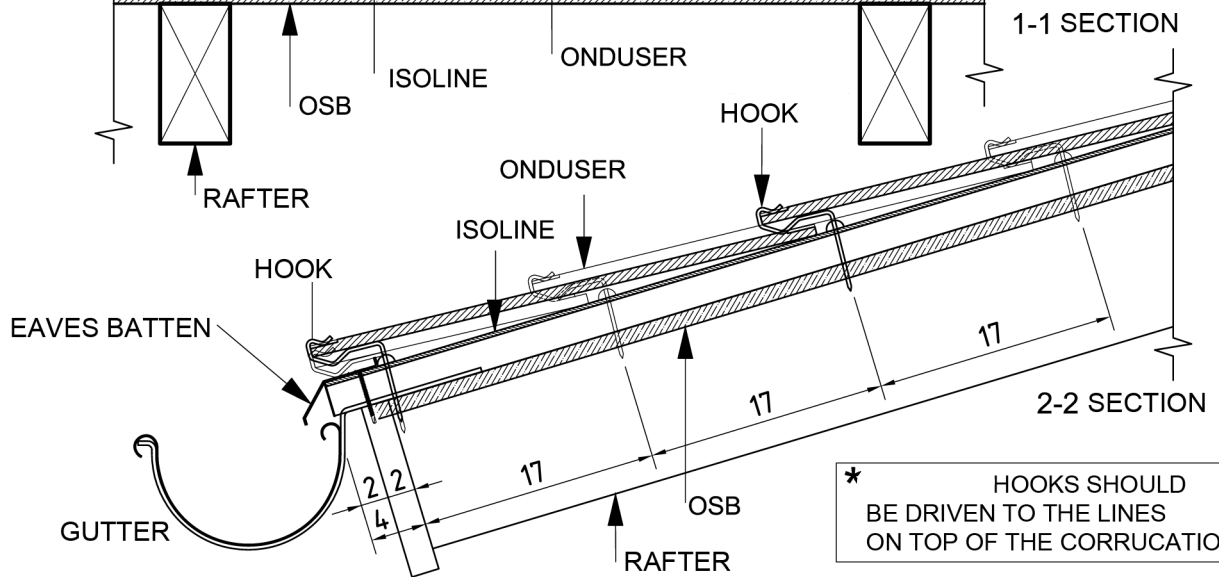
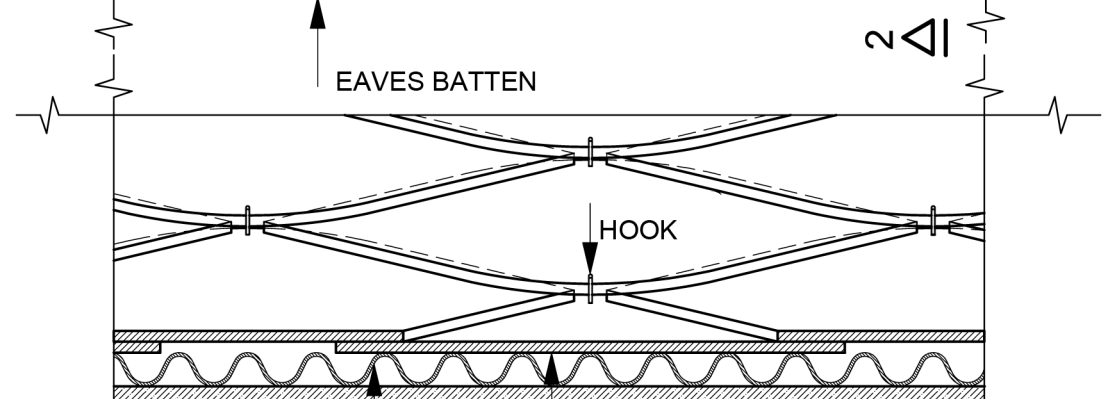
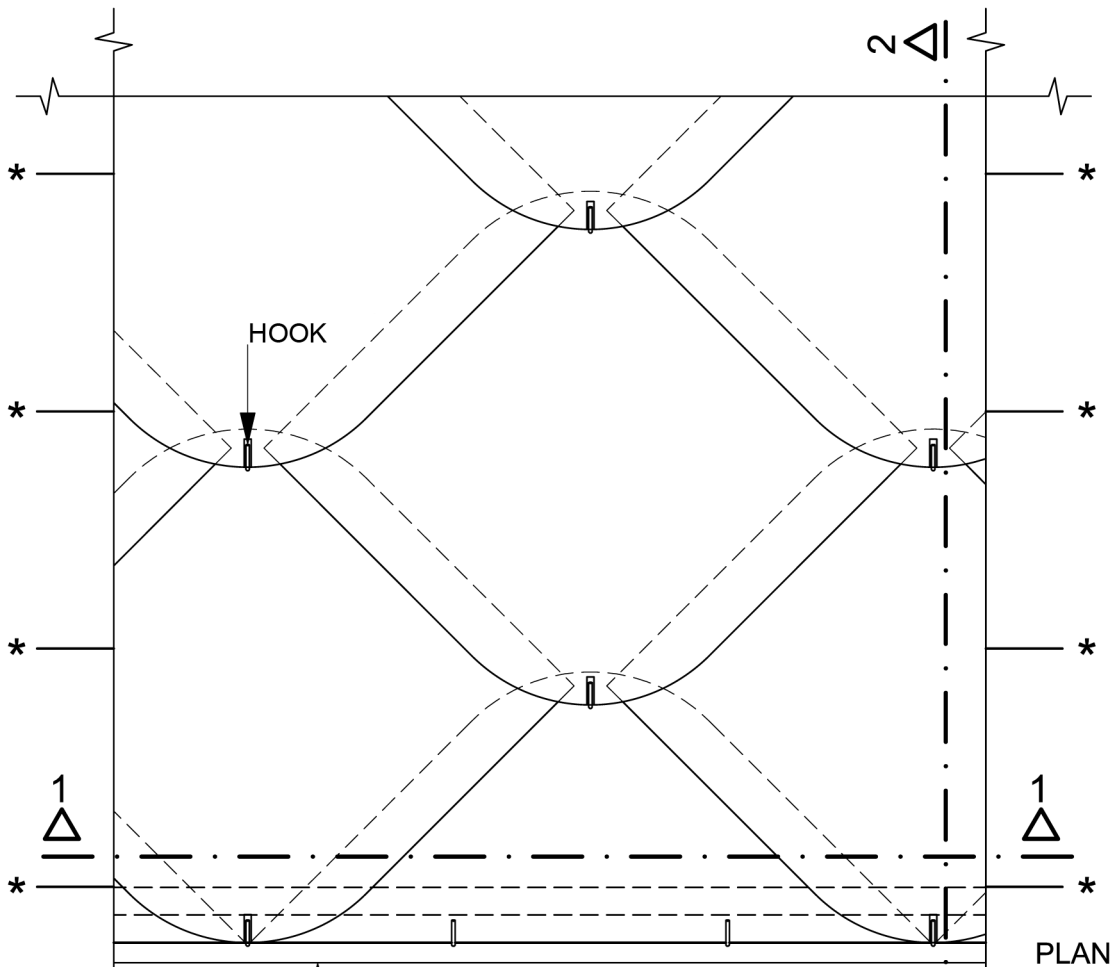
System



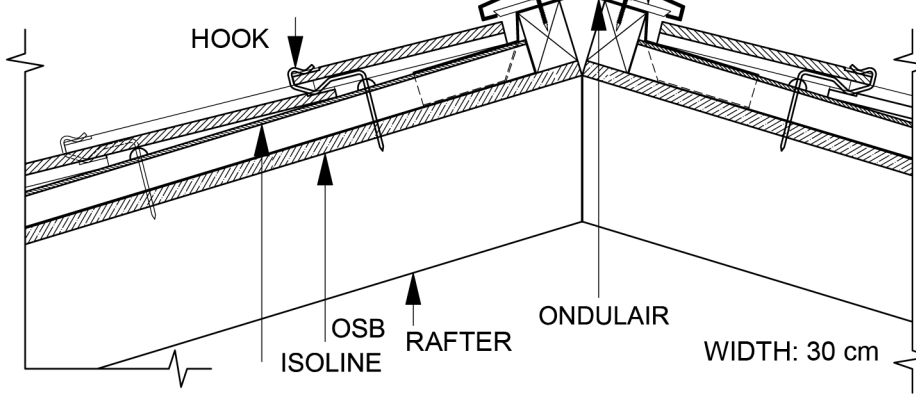
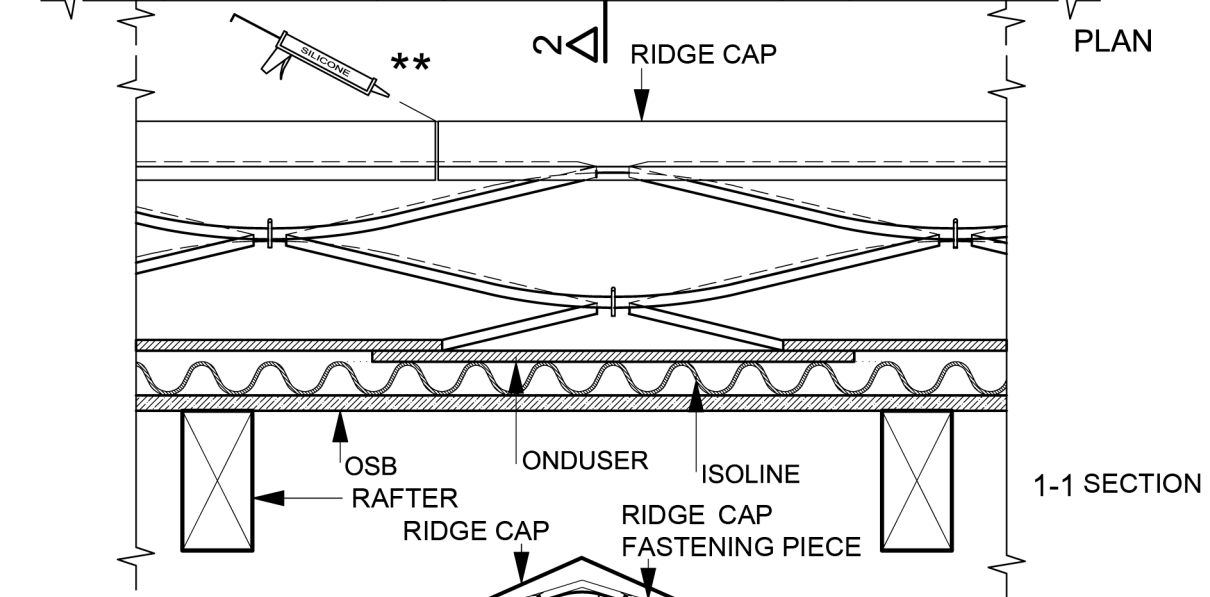
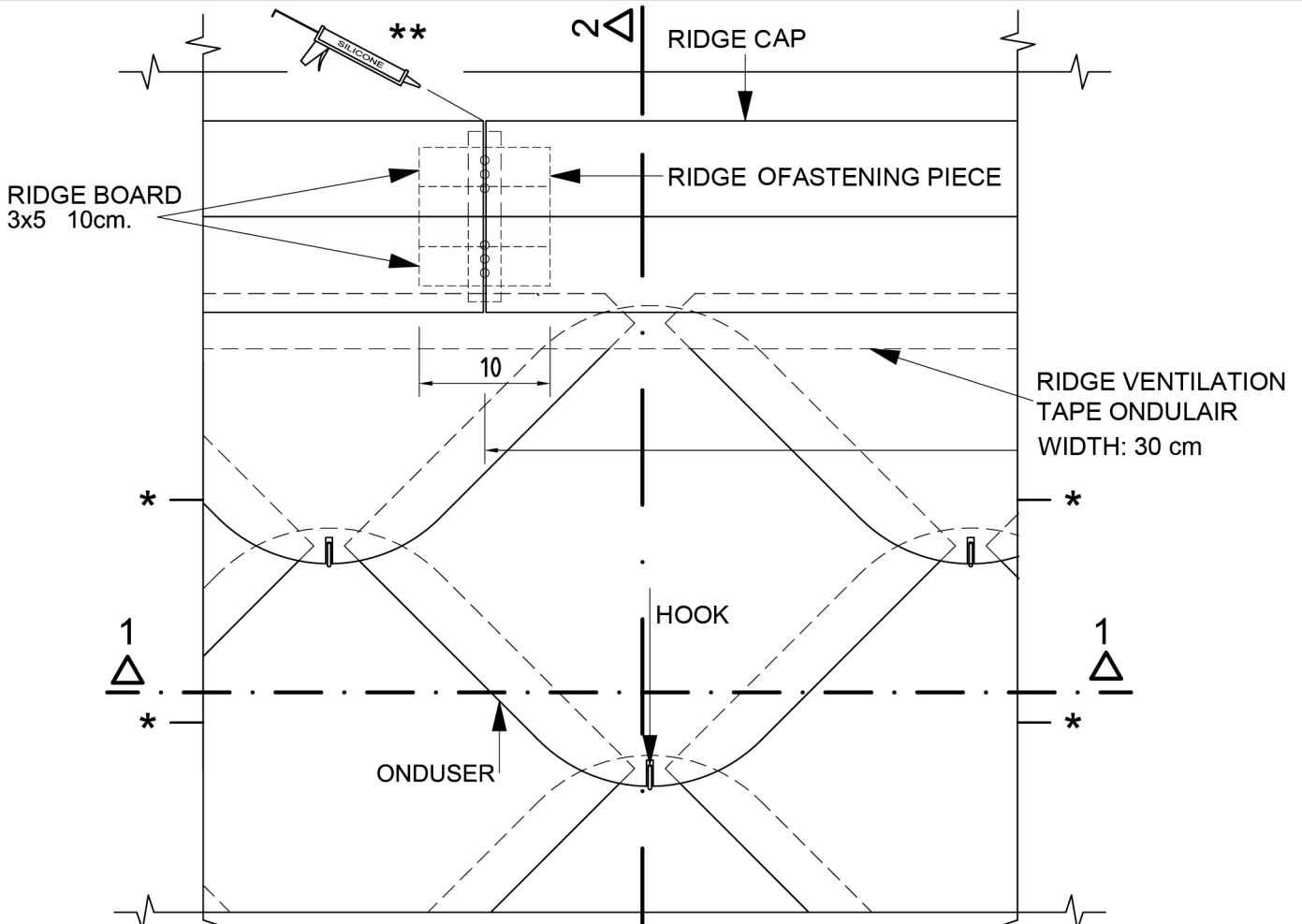
Ceramic Slates for Roofing and Siding

- *Watertight*
- *Lightweight*
- *Aesthetical*

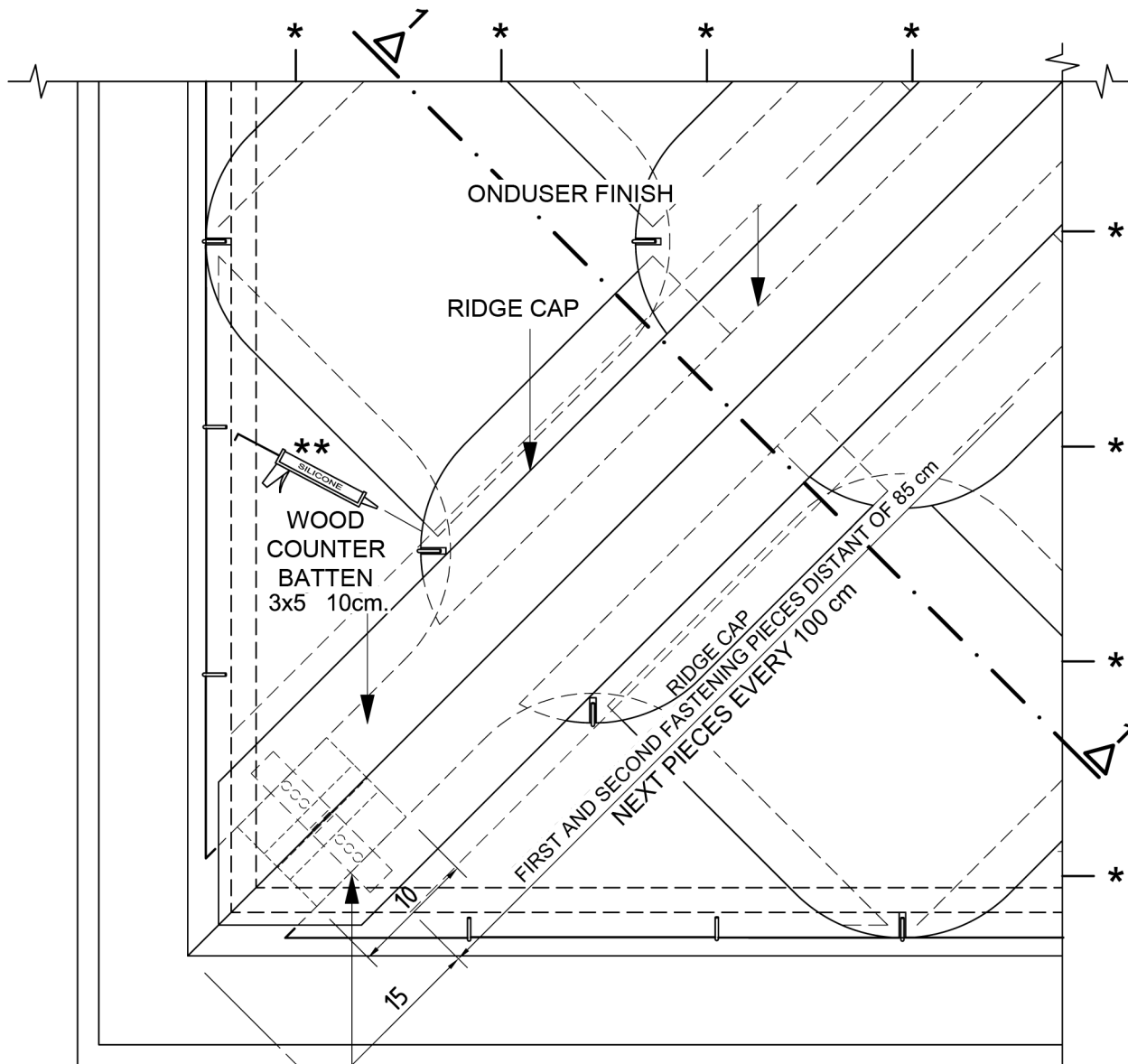




* HOOKS SHOULD BE DRIVEN TO THE LINES ON TOP OF THE CORRUGATIONS

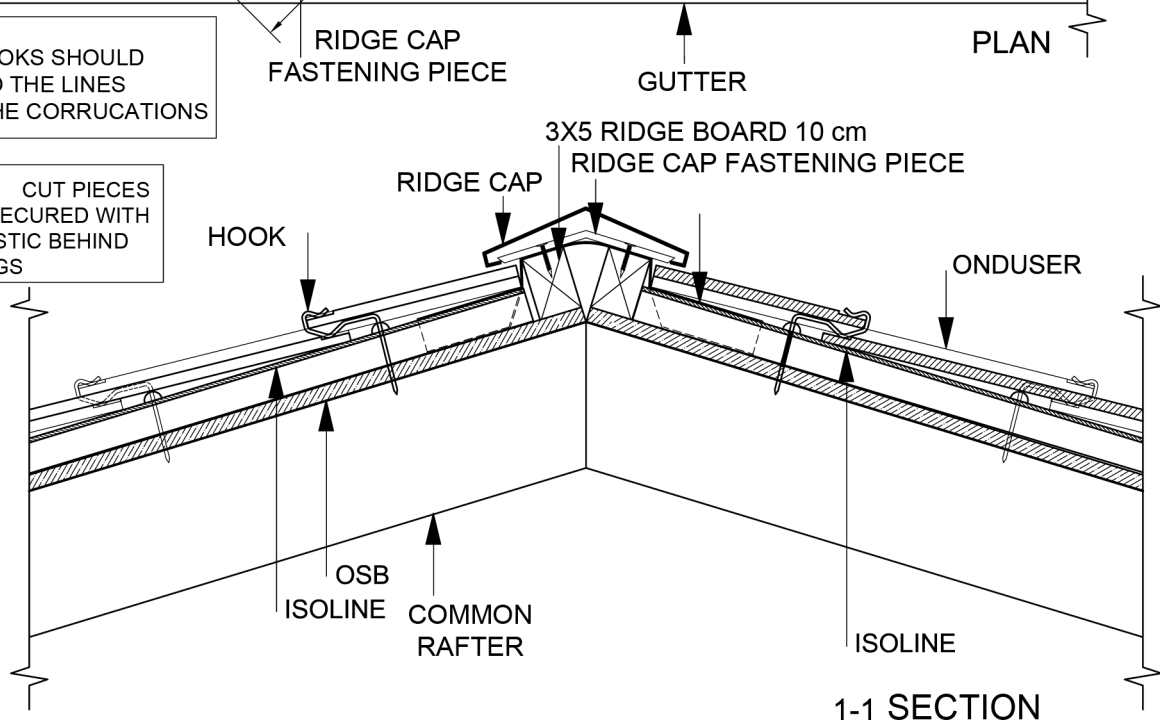


- * HOOKS SHOULD BE DRIVEN TO THE LINES ON TOP OF THE CORRUCATIONS
- ** UV RESISTANT SILICONE MASTIC SHOULD BE USED FOR THE ASSEMBLY OF THE RIDGE CAPS

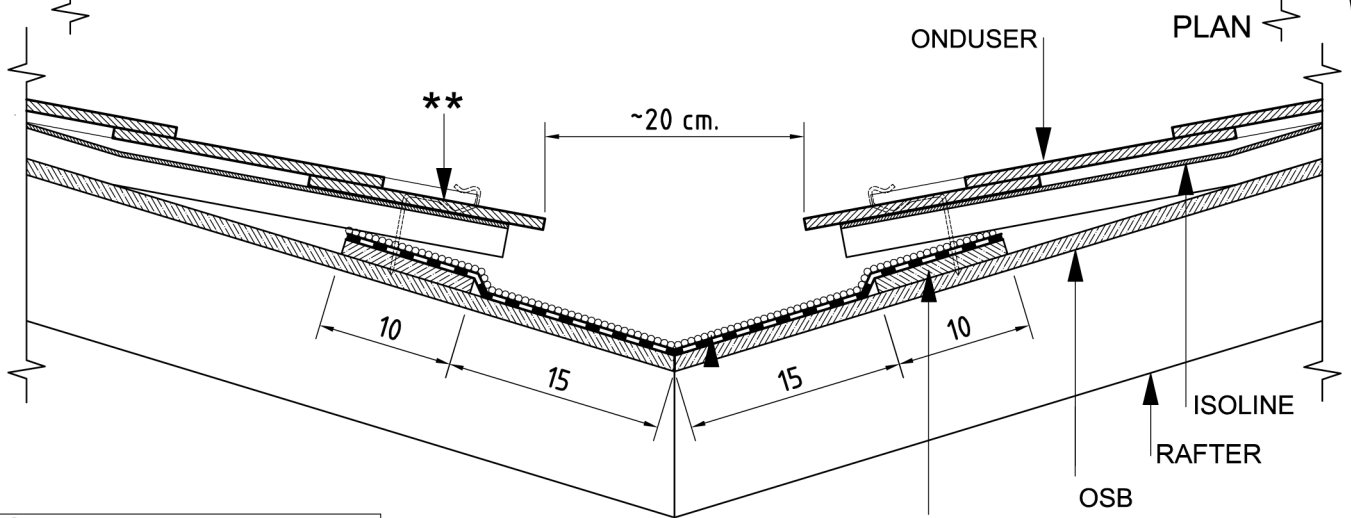
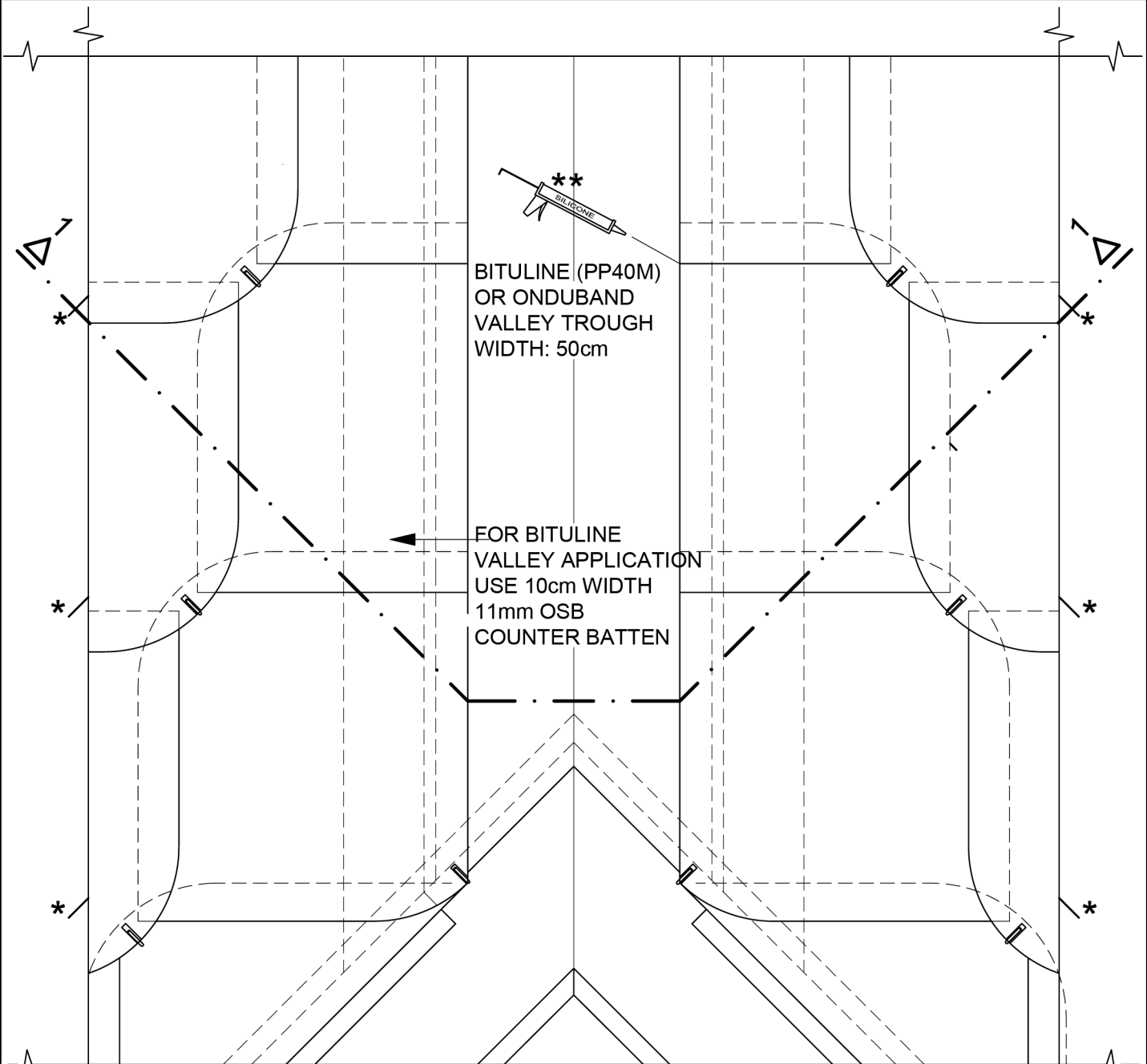


* HOOKS SHOULD BE DRIVEN TO THE LINES ON TOP OF THE CORRUGATIONS

** CUT PIECES SHOULD BE SECURED WITH SILICONE MASTIC BEHIND OVERLAPPINGS



1-1 SECTION



* HOOKS SHOULD BE DRIVEN TO THE LINES ON TOP OF THE CORRUCATIONS

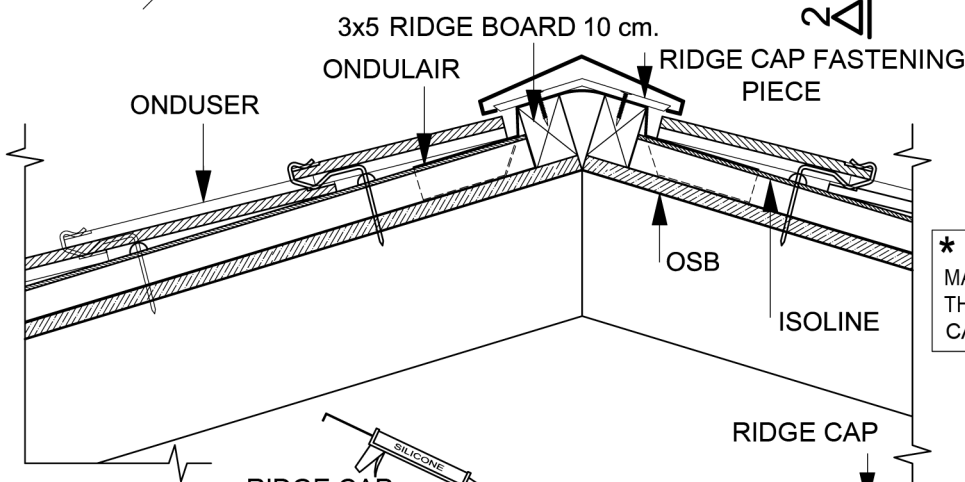
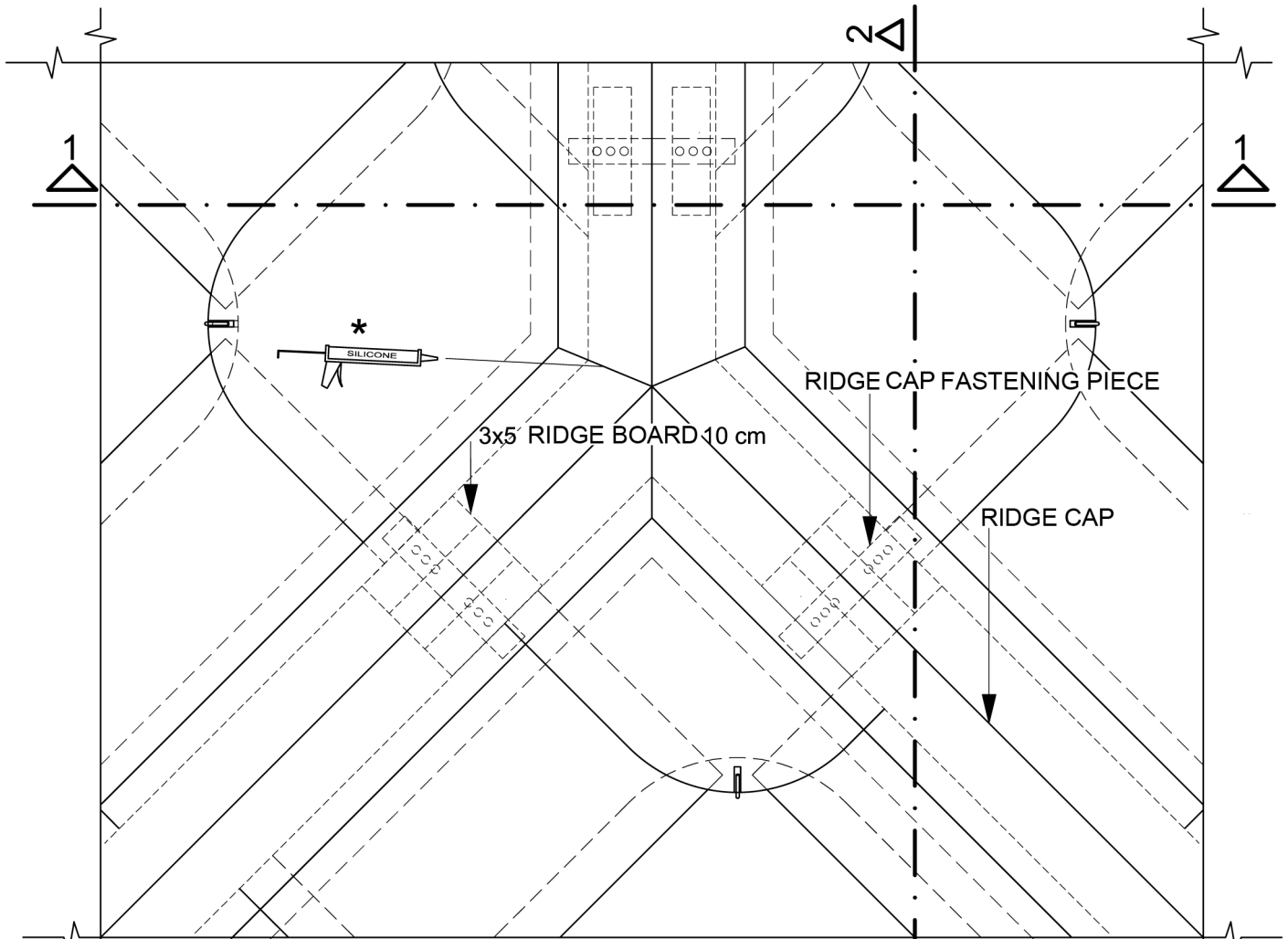
** CUT PIECES SHOULD BE SECURED WITH SILICONE MASTIC BEHIND OVERLAPPINGS

FOR BITULINE VALLEY APPLICATION USE 10cm WIDTH 11mm OSB COUNTER BATTEN

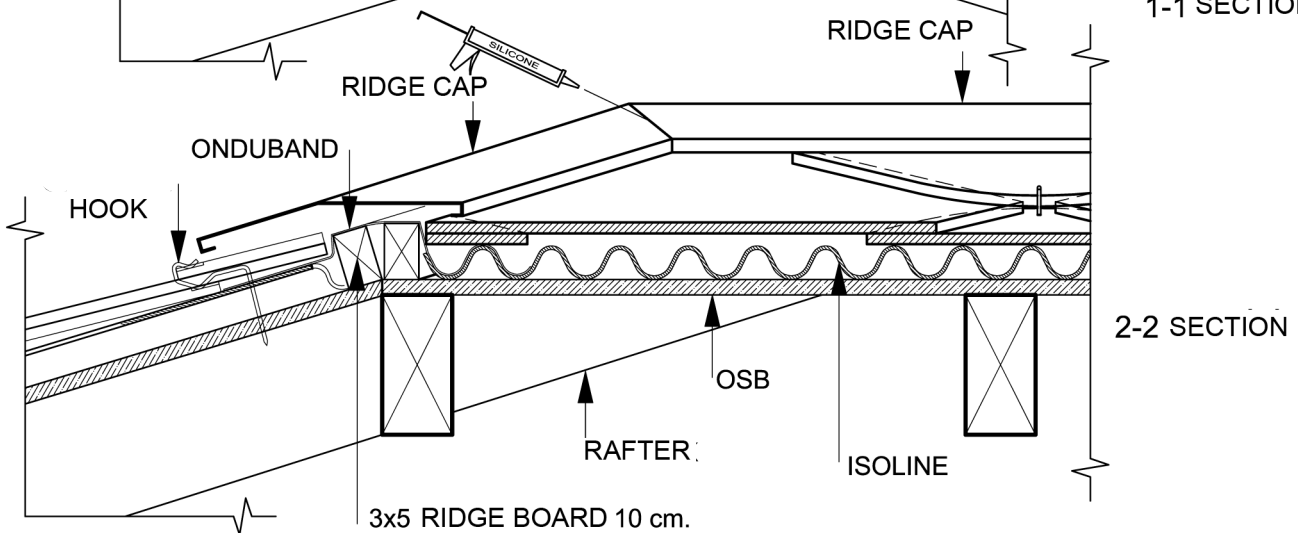
1-1 SECTION

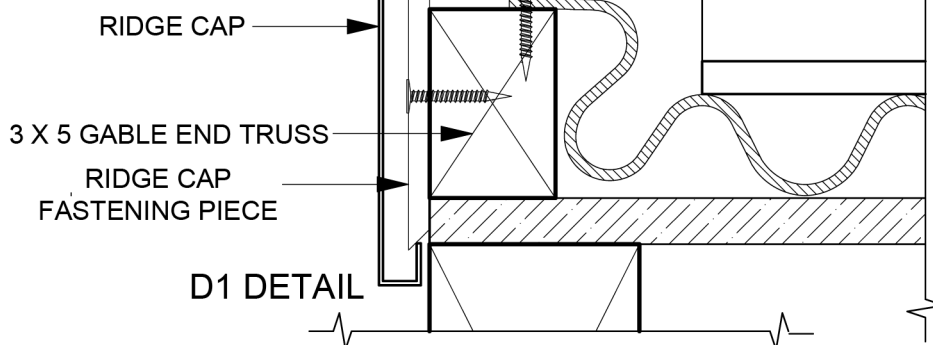
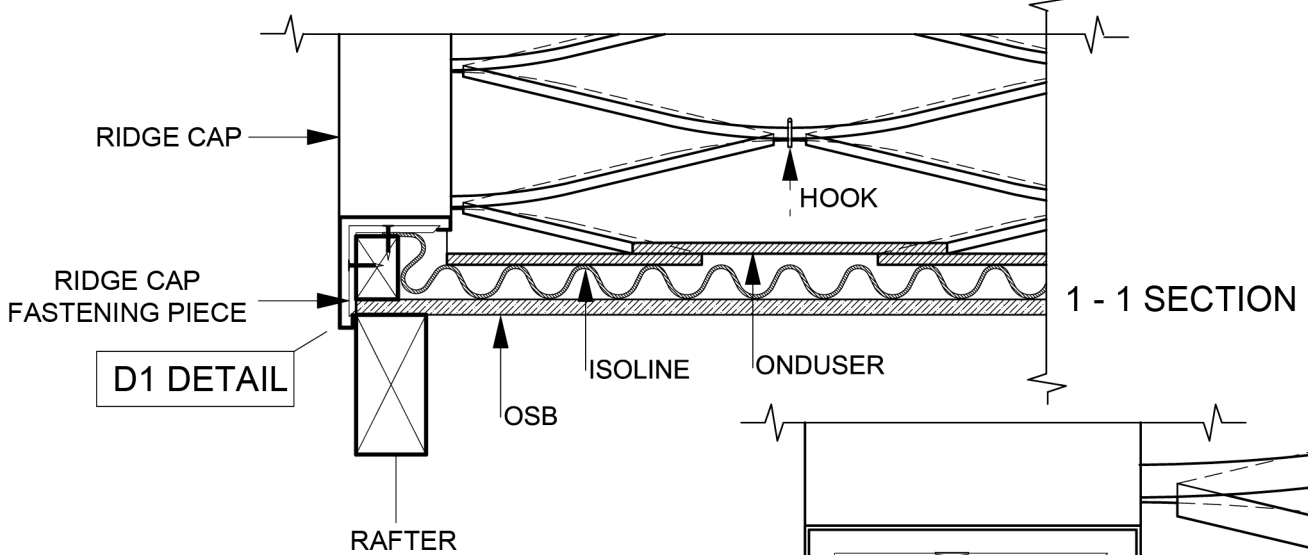
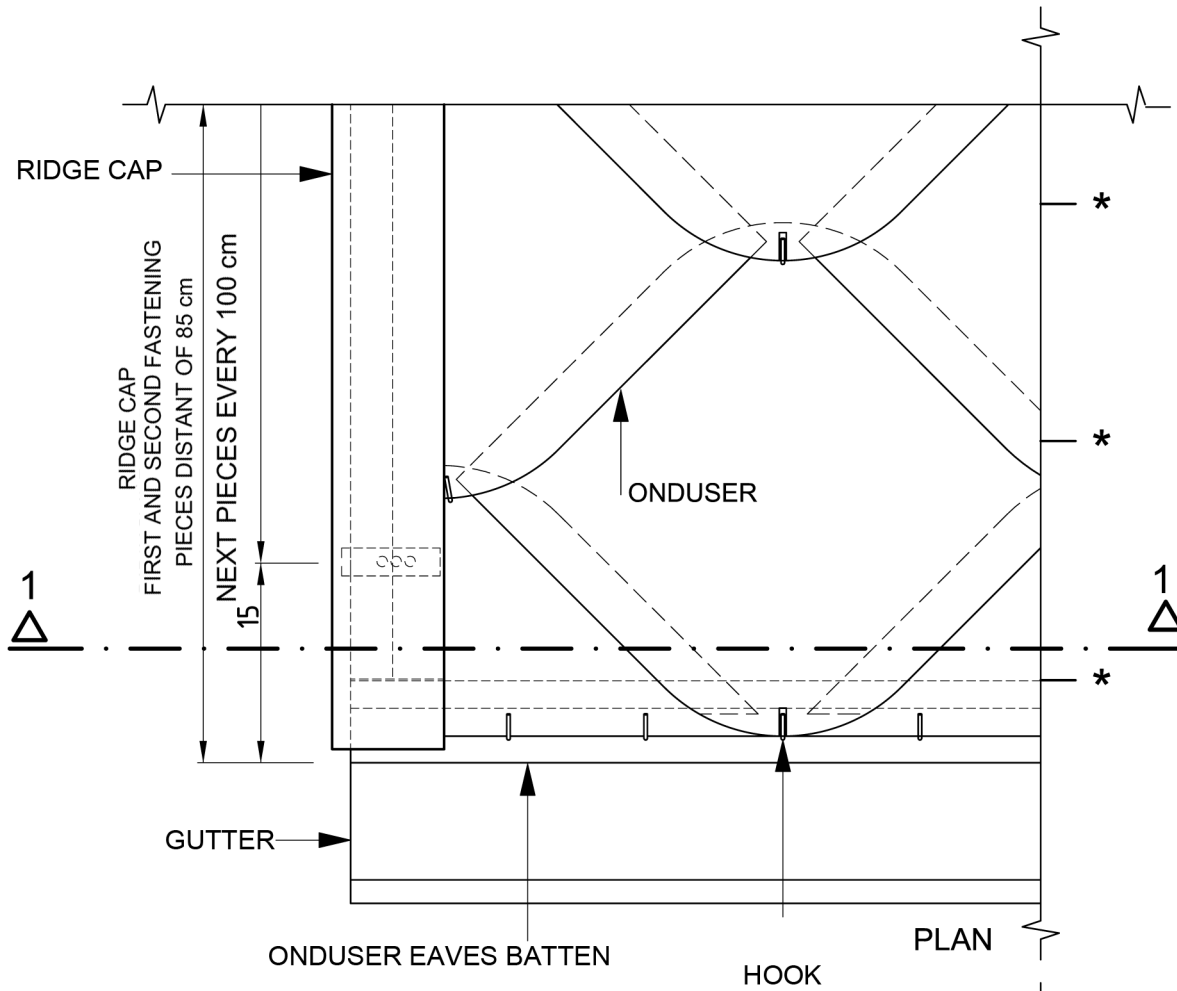
HIP - RIDGE INTERSECTION
DETAIL

M255

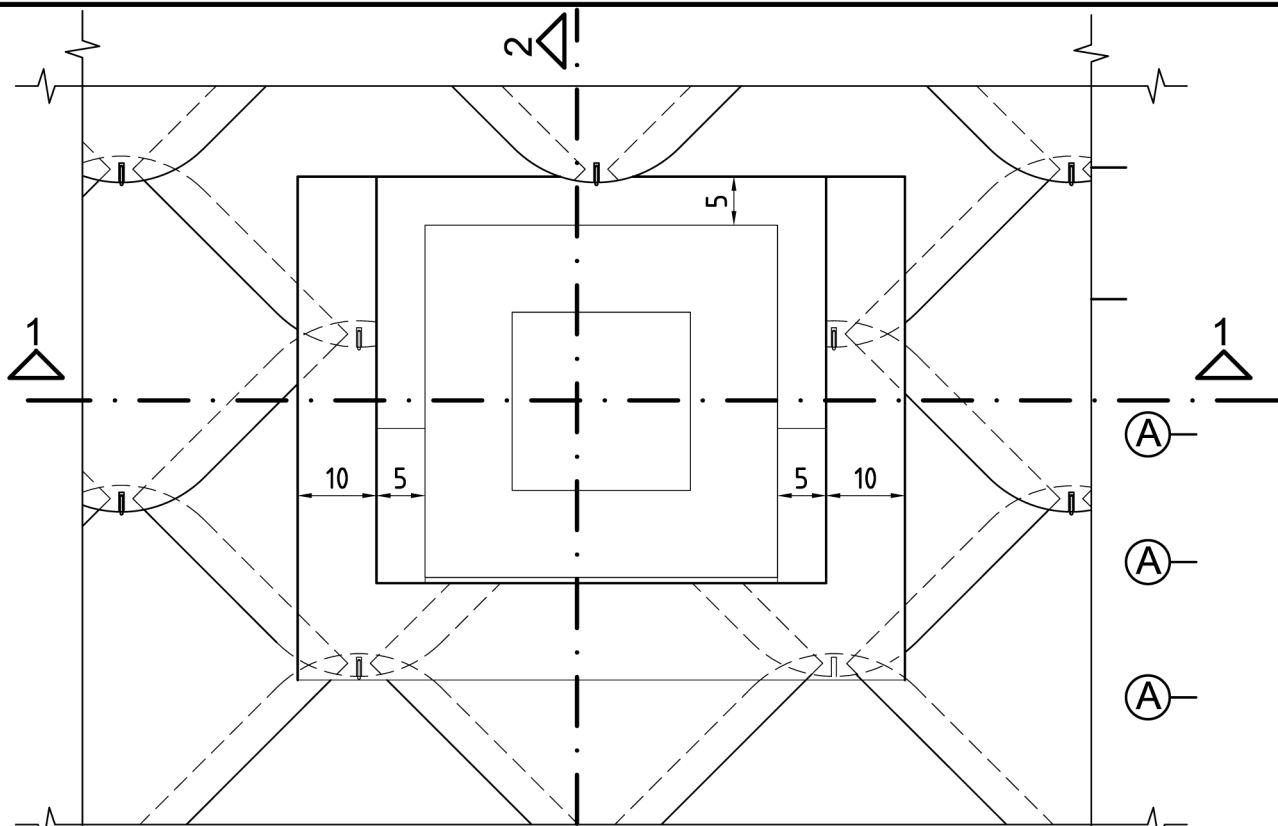


* UV RESISTANT SILICONE MASTIC SHOULD BE USED FOR THE ASSEMBLY OF THE RIDGE CAP

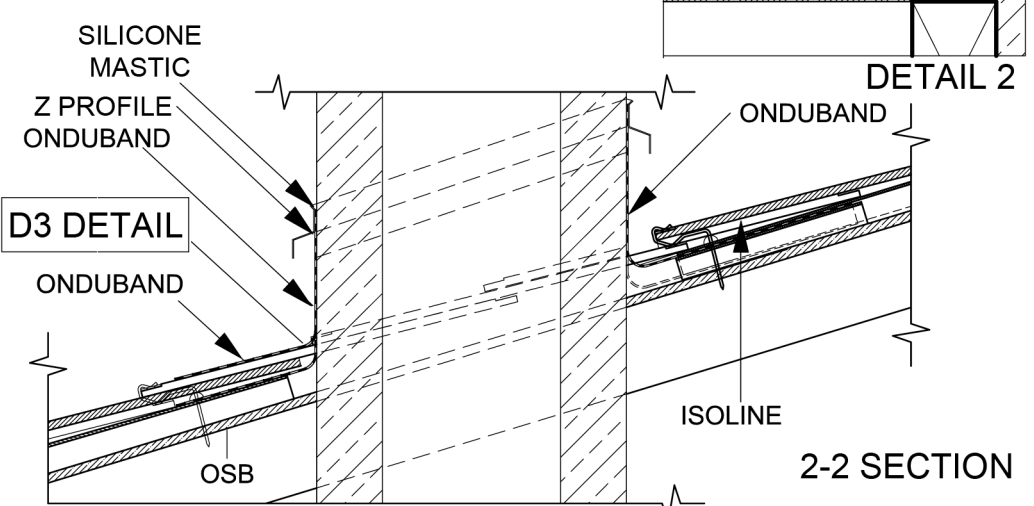
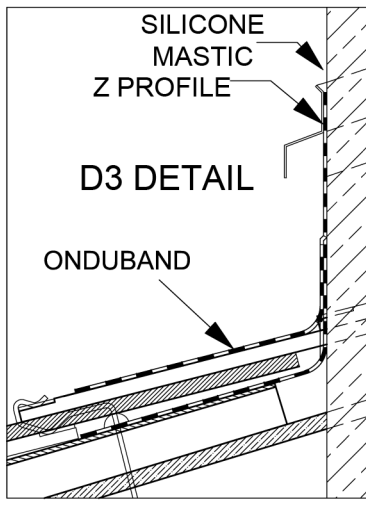
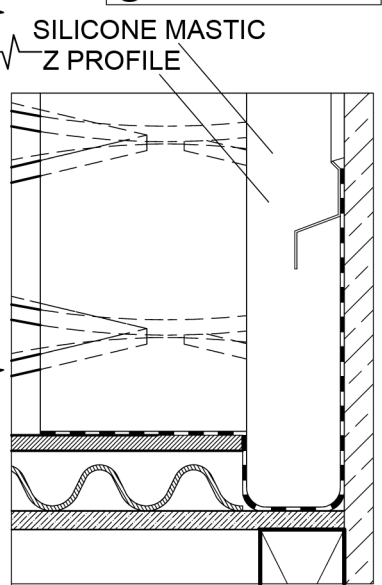
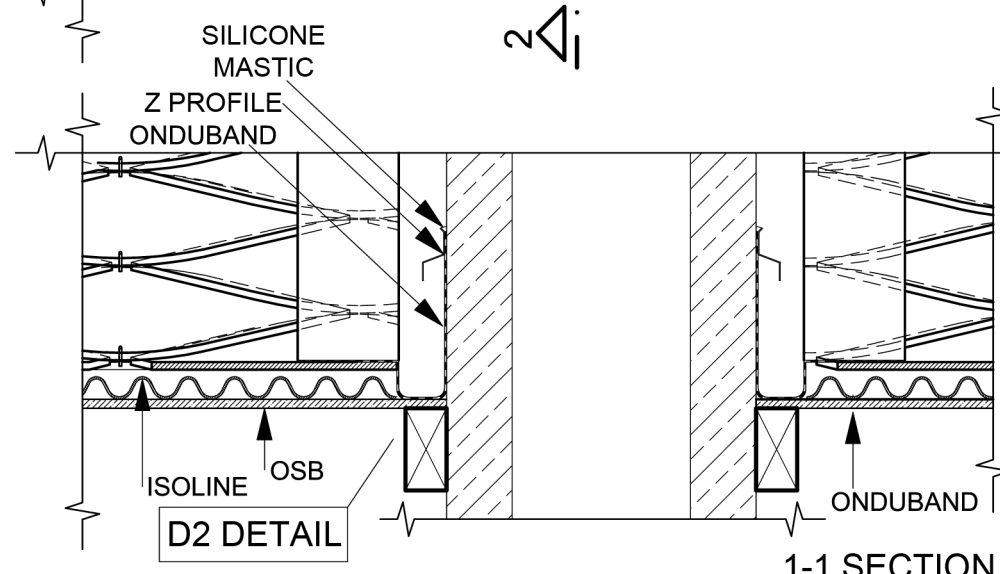


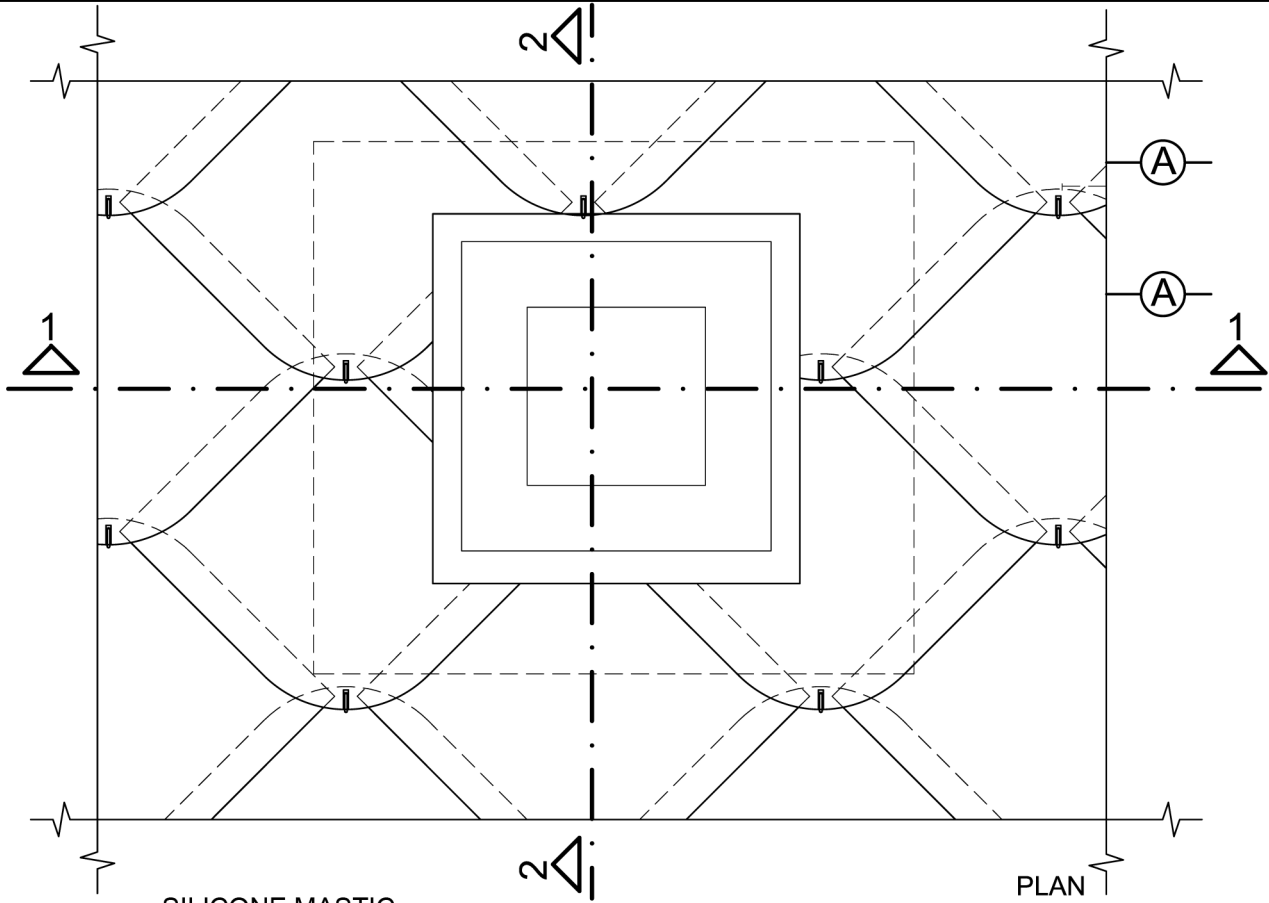


* HOOKS SHOULD BE DRIVEN TO THE LINES ON TOP OF THE CORRUCATIONS

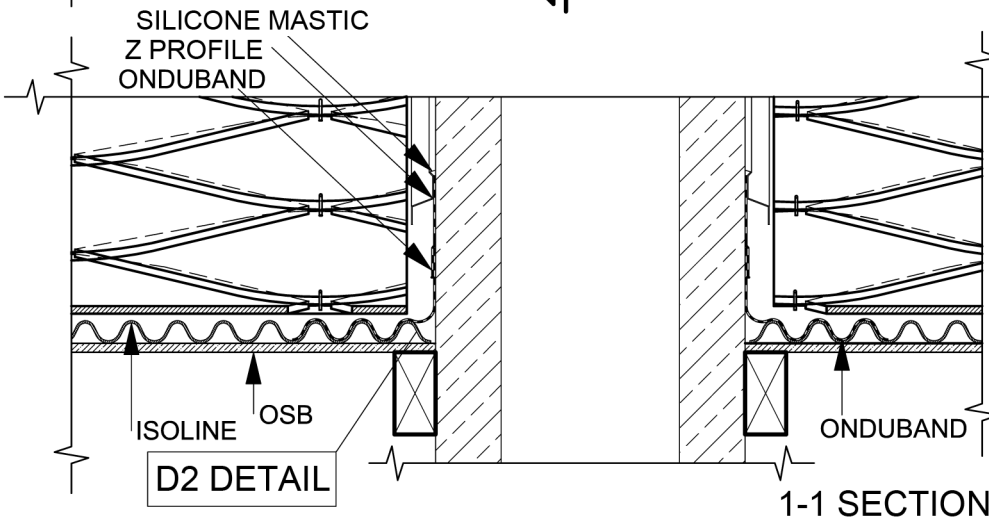


BATTENS SHOULD BE ALIGNED TO THE (A) LIGNE OF ISOLINE





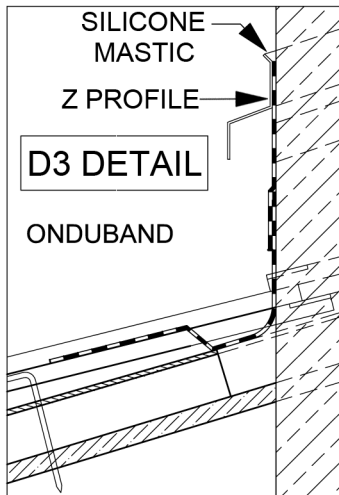
PLAN



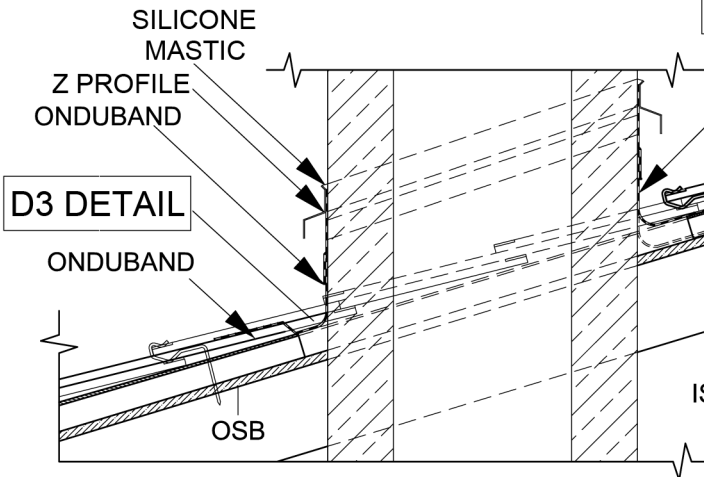
D2 DETAIL

1-1 SECTION

DETAIL 2



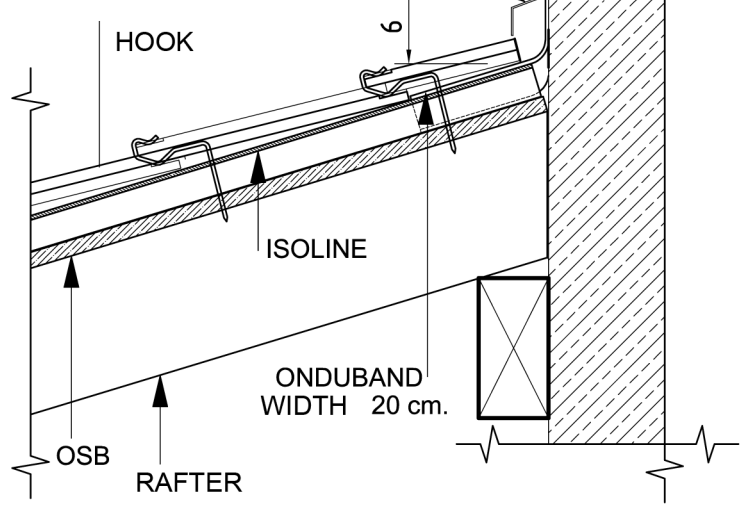
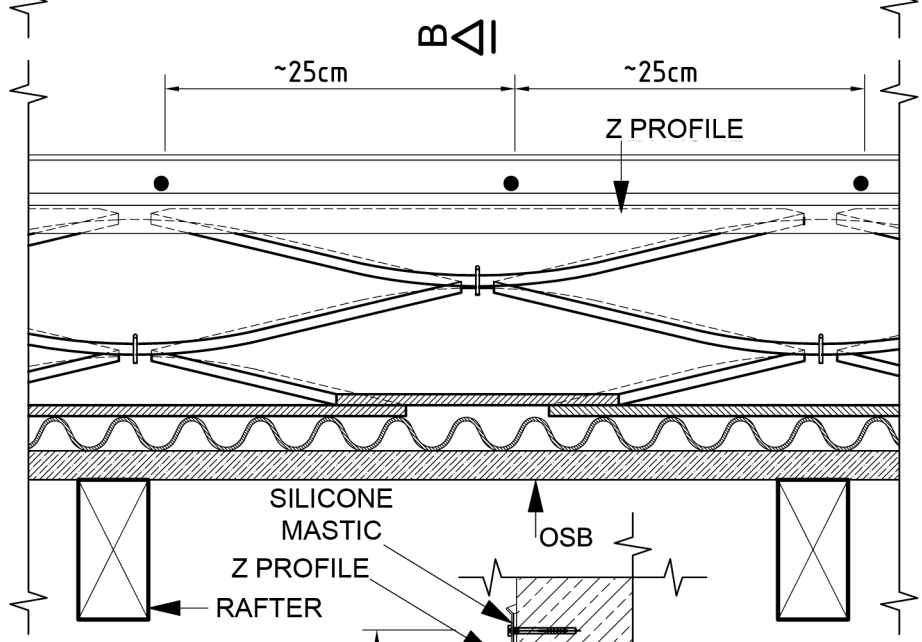
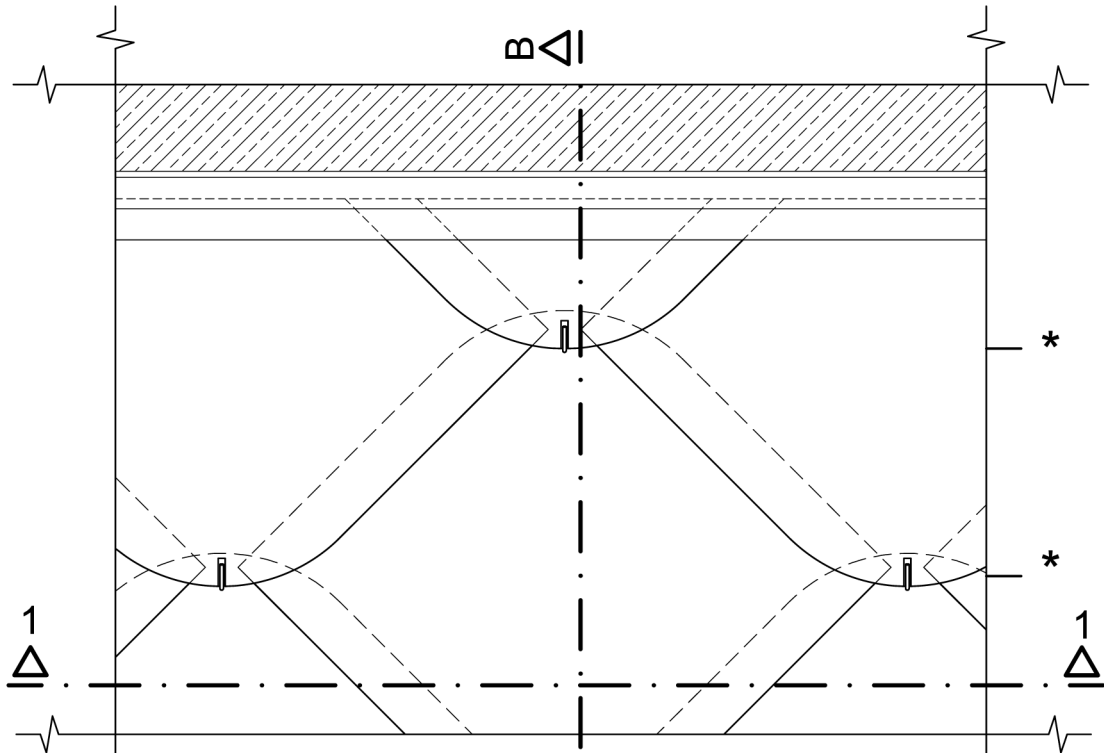
D3 DETAIL



D3 DETAIL

FOR ONDUBAND
FLASHING DETAILS
SEE M210-B PAGE

2-2 SECTION



1-1 SECTION

* HOOKS SHOULD BE DRIVEN TO THE LINES ON TOP OF THE CORRUGATIONS

2-2 SECTION

